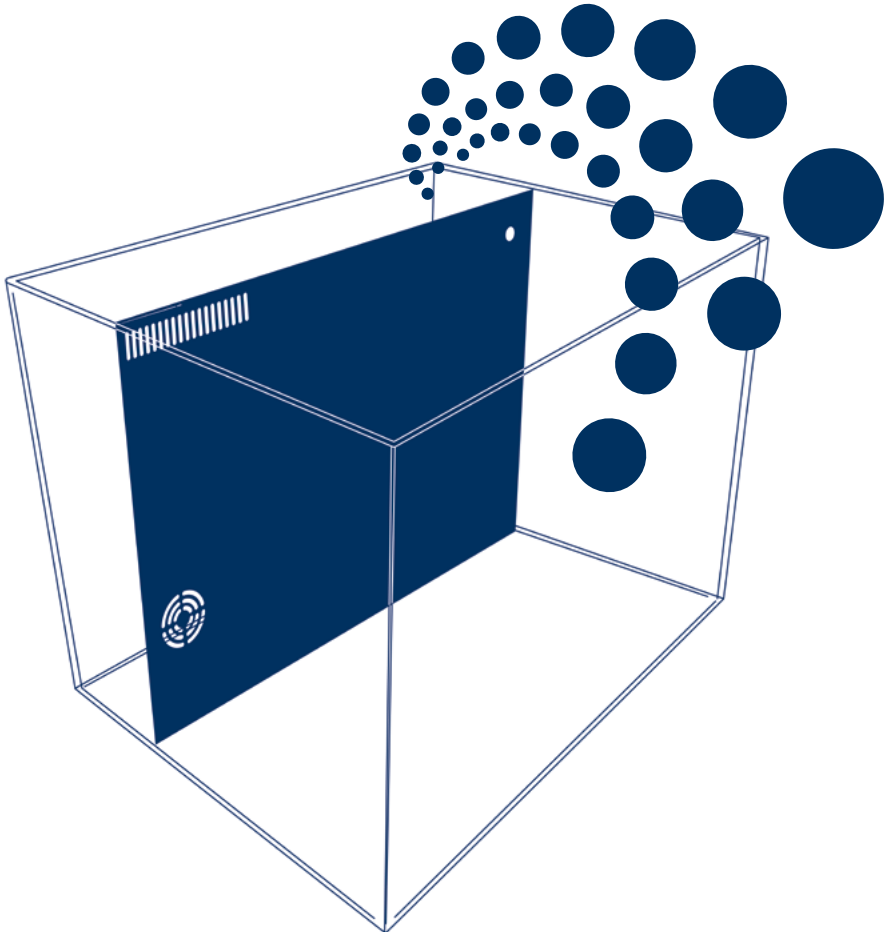




# Next Wave 35

 Instructions

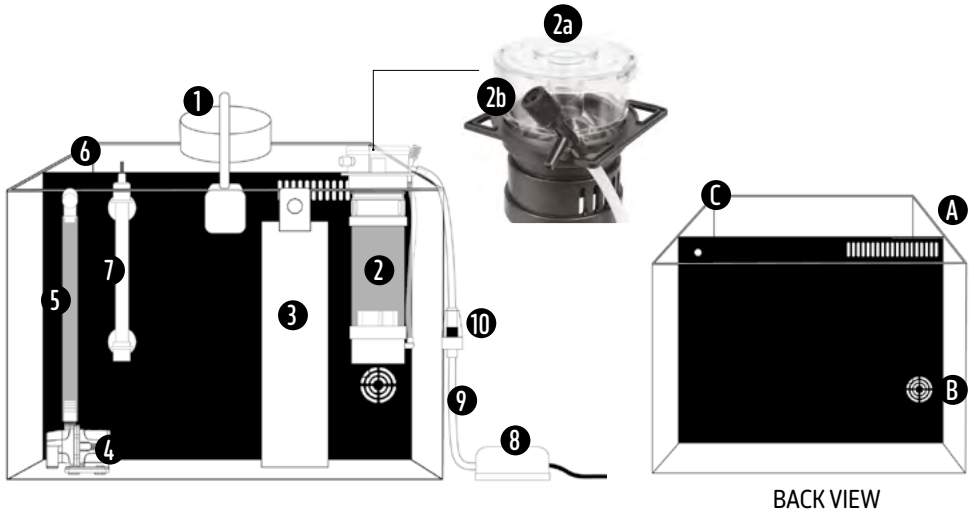




## IMPORTANT SAFETY INFORMATION

Please Read Carefully

PLEASE READ THE INSTRUCTIONS SUPPLIED WITH EACH INDIVIDUAL COMPONENT OF THIS AQUARIUM SET, FOR FULL SAFETY, SET UP, OPERATING AND MAINTENANCE PROCEDURES



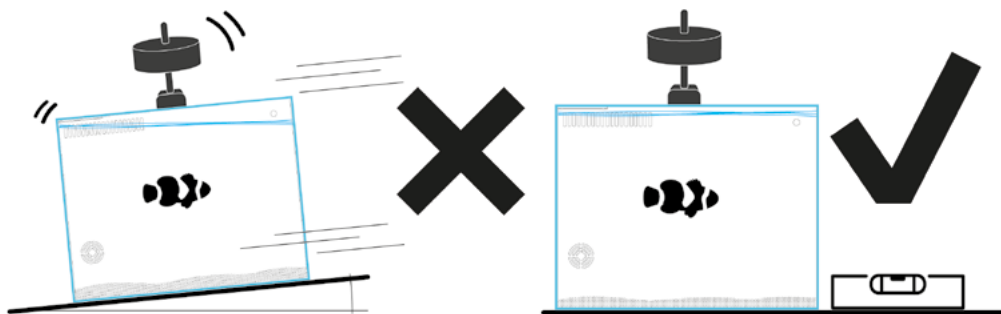
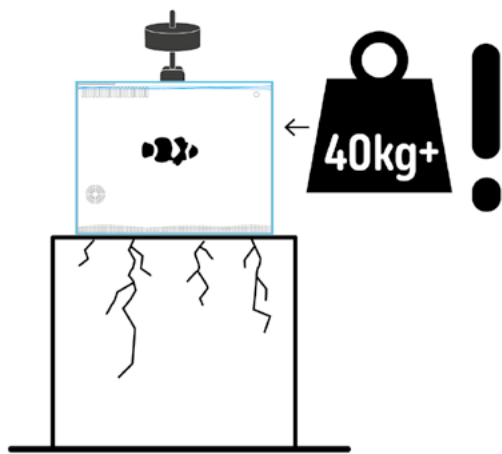
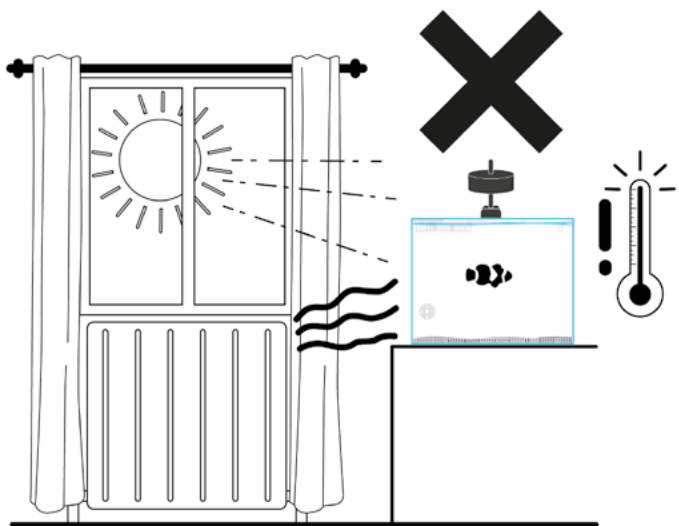
1. iLumenAir Micro - LED light
2. Protein skimmer (2a and 2b: skimmer parts)
3. Filtration Media Basket with filter sponges
4. Reef Pump 250nano - fixed flow
5. Water outlet tubing
6. outlet nozzle and fitting

### PARTS REQUIRED FOR INSTALLATION (NOT SUPPLIED)

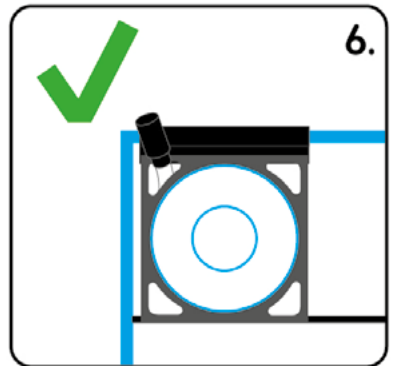
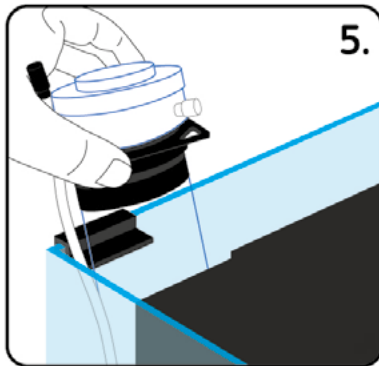
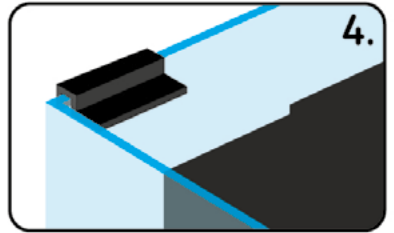
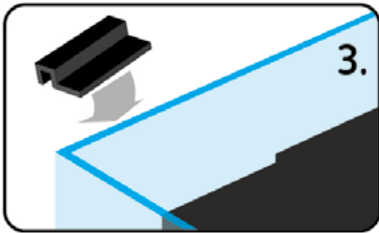
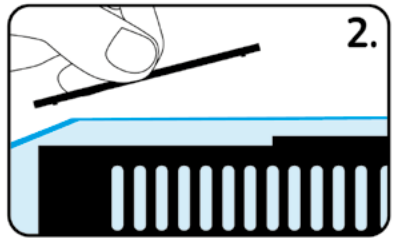
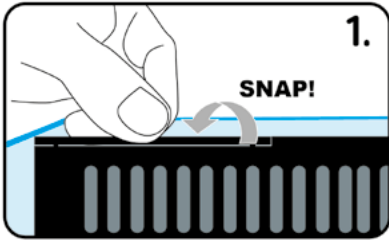
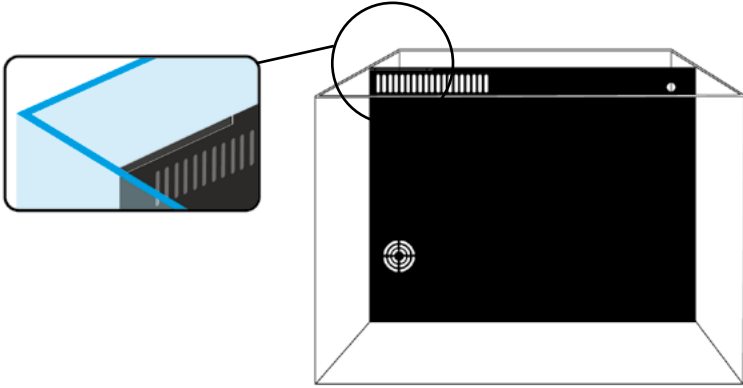
7. Heater
8. Air Pump
9. Flexible air tubing
10. Non return valve.
  - Residual Current Device (RCD) with a rated residual operating current not exceeding 30mA
  - Additional connection fittings (depending on individual installation requirements).

- A. Water inlets
- B. Water inlets
- C. Water outlets





# HOW TO INSTALL THE PROTEIN SKIMMER







1 iLumenAir Micro - LED light

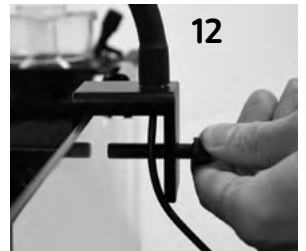
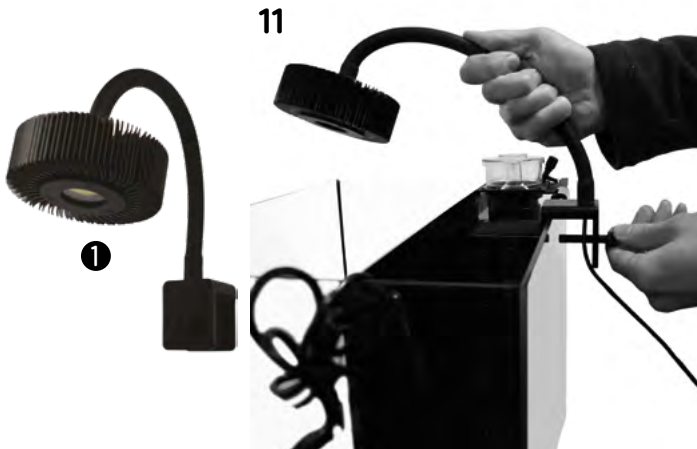
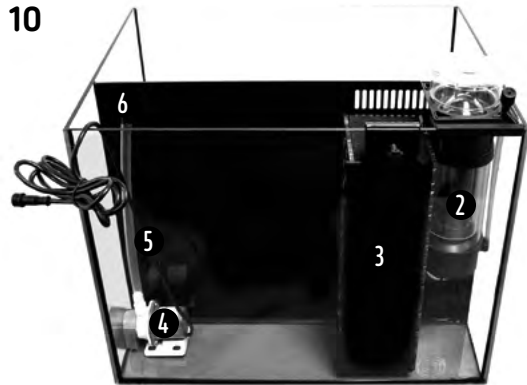
2 Protein skimmer

3 Filtration Media Basket with filter sponges

4 Reef Pump 250nano - fixed flow

5 Water outlet tubing

6 Outlet nozzle and fitting



# IMPORTANT SAFETY INFORMATION

Please Read Carefully

**CAUTION:** Always isolate all electrical appliances from the mains electricity before installing or carrying out any maintenance to the Next Wave tank.

**CAUTION:** Power to the water circulation pump and heater (not supplied) must be supplied through a Residual Current Device (RCD - not supplied) with a rated residual operating current not exceeding 30mA.

**CAUTION:** Thoroughly rinse the aquarium and filter media, using fresh water and a damp cloth. Never use soap on any component placed in your aquarium as soap is harmful to livestock.

- Do not run the water circulation pump dry.
- To ensure the water circulation pump continues to maintain a steady water flow, it must be cleaned regularly to ensure it does not become clogged with debris or detritus.
- Pump rating: 100-240V, 50/60Hz unless marked otherwise.

**CAUTION:** Do not operate any appliance if it has a damaged cord or plug, if it is malfunctioning, or if it has been dropped or damaged in any way.

- This Next Wave is designed to be used indoors and is not suitable for any outdoor applications.
- Ensure the Next Wave is securely installed on a level surface, capable of supporting the weight of the tank, before operating.

**Please Note:** This tank must NOT be positioned in direct sunlight as this will lead to excessive algae growth, or in a location exposed to low temperatures or increased heat levels i.e. NOT by a radiator.

- Ensure the iLumenAir Micro and the heater are securely installed before operating.

**CAUTION:** Always leave a drip-loop in the water circulation pump, heater and LED light cables to prevent water running down the cables and reaching the power source.

**CAUTION:** Always isolate the LED light power supply unit (PSU), the water circulation pump and the heater from the mains electricity before installing or carrying out any maintenance to the tank.

**CAUTION: DO NOT SUBMERGE THE LED LIGHTING SYSTEM.** If the light falls into the Next Wave tank by accident, immediately isolate the LED lighting system from the mains electricity before removing.

- Do not cover the LED lighting system in any way and always ensure good air circulation around it.
- Operation of the LED lighting system in a confined or unventilated space, or where there is an additional heat source could cause operating problems and a reduction in the usable life of the unit.
- The heater must remain fully submerged at all times. Failure to do so will damage the heater and result in over-heating of the aquarium water and loss of livestock. If removing the heater from the Next Wave tank isolate it from the power supply and wait approximately 15-20 minutes for it to cool, before removing it.
- This appliance is not intended for use by persons (including children) with reduced physical, sensory or mental capabilities, or lack of experience and knowledge, unless they have been given supervision or instruction concerning use of the appliance by a person responsible for their safety.

DISPOSE OF THIS UNIT RESPONSIBLY.

Check with your local authority for disposal information.



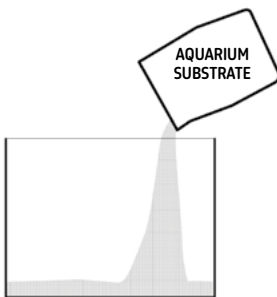


## PARTS REQUIRED FOR INSTALLATION (NOT SUPPLIED)

- Heater
- Air Pump and flexible air tubing
- Non return valve.
- Residual Current Device (RCD) with a rated residual operating current not exceeding 30mA
- Additional connection fittings (depending on individual installation requirements).
- **Bucket or similar container** for preparing your saltwater.
- **35+ litres of saltwater** correctly prepared according to the instructions supplied with your chosen synthetic salt, and at the correct temperature.

**USEFUL TIP:** We thoroughly recommend saltwater prepared with Tropic Marin synthetic sea salt [see your local stockist for details and preparation advice].

- **Measuring jug** or similar vessel [for filling the Next Wave tank with water].
- **A small cup, flat plate or something similar** [to be used when filling the Next Wave tank with water to prevent any substrate from being displaced].



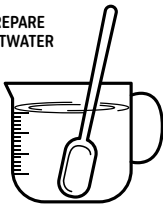
1. If you are planning to add aquarium decor e.g. live rock or replica live rock, position these as required.

**Please Note:** Ensure all aquarium decor is correctly prepared before introducing to the Next Wave tank.

2. Carefully pour your selected aquarium substrate into the Next Wave tank. TMC EcoSand is recommended [see your local TMC stockist for details].
3. Place a small cup, flat plate or something similar on top of the substrate [to prevent any substrate from being displaced] and carefully pour the prepared saltwater.

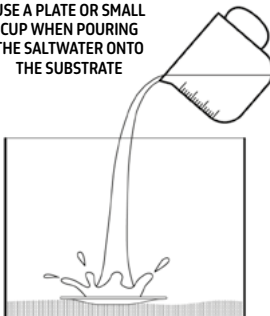
**Please Note:** The prepared salt water must be at the correct temperature for the Next Wave tank before adding to the tank.

PREPARE  
SALTWATER



**Please Note:** Due to various factors such as evaporation, the water level in the Next Wave tank will change. Ensure that the water level in the tank, the protein skimmer chamber and filtration chamber is always closely monitored. As water evaporates, the salinity level in the tank will also change so ensure that the specific gravity (SG) of the tank is measured using a hydrometer, and the tank is regularly topped up with freshwater or saltwater as necessary to reach the correct specific gravity (SG) and the required water level.

USE A PLATE OR SMALL  
CUP WHEN POURING  
THE SALTWATER ONTO  
THE SUBSTRATE



**Please Note:** When topping up the tank with new saltwater, the saltwater must always be prepared correctly and according to the instructions supplied with your chosen synthetic salt and any water added to the Next Wave tank must be at the correct temperature.

**CAUTION:** Livestock should NOT be introduced to the Next Wave tank until water parameters have been tested and it is safe to do so. Regularly test the water parameters with reliable test kits and consult your local retailer for further advice if necessary.

## OPERATION

1. Once the Next Wave tank is full of water and ensuring that the protein skimmer chamber, filtration chamber and the pump and heater chamber are also full of water, plug in and switch on the water circulation pump [4] and the heater [7].
2. Once the water circulation pump [4] is switched on, water will be drawn into the protein skimmer and filtration chambers via the water inlets [A & B] and will pass through the filter sponges [3] and will return back into the tank via the water outlet [C] and the directional nozzle [6].

**CAUTION:** To avoid any operating problems, ensure the water inlets and outlets are not obscured by tank decor, substrate or filter media.

3. Make sure all connections are tightly secured and check for leaks.
4. Ensure the skimmer collection cup and lid [2a] are securely and correctly positioned. Failure to do so could result in leaks.
5. Plug in and switch on the air pump [8 - not supplied].
6. Carefully turn the air inlet adjustment valve [2b] on the protein skimmer in an anti-clockwise direction until the micro-bubbles can be seen to just enter the base of the collection cup cone [2a].

**NOTE:** When any adjustments are made to the air inlet adjustment valve [2b] it will take a few moments for the micro-bubbles and water level within the skimmer to settle and become stable.

7. Leave the air pump [8] running to allow the skimmer to establish itself and if required make further adjustments to the air inlet adjustment valve [2b] to control the air and water level within the main skimmer body [2].

**NOTE:** With any adjustments made, ensure that the water level in the main skimmer body [2] is closely monitored to ensure the collection cup [2a] is not flooded.

**CAUTION:** Failure to do so could result in water overflowing onto the floor.

**NOTE:** It is perfectly normal for the protein skimmer to take a few days to become established and stable.

**NOTE:** Under normal operating circumstances, due to the size of the Next Wave tank, there will generally be very little organic matter or detritus to be removed by the skimmer and filtration system. Therefore the skimmer may not always be producing a foam and skimming. This is perfectly normal. As long as the micro-bubbles and water level within the skimmer are correct, the skimmer will start skimming as soon as organic matter or detritus build up in the Next Wave tank.

**NOTE:** Variables such as introducing new micro corals or micro invertebrates into the tank, frequent feeding, adding supplements or medications, fluctuations in water quality, water changes and maintenance may temporarily alter the performance of the protein skimmer.

8. Plug in and switch on the iLumenAir Micro lighting system.

**CAUTION:** Due to the size of this tank, the Next Wave tank is NOT suitable for keeping all species of ornamental aquarium fish [see "**Suitable Species for the Next Wave 35**" on page 13]. If you plan to introduce livestock to this Next Wave tank such as small fish, micro invertebrates or micro corals, please ensure you thoroughly research the habitat requirements of the livestock, i.e. the required temperature and water parameters, before introducing them into this tank. If in any doubt check with your local aquatic retailer.

We also **highly recommend** that you purchase a good marine keeping reference book to gain further knowledge on how to keep your marine livestock in optimum condition and to ensure an enjoyable and successful marine-keeping experience.

## MAINTENANCE

**CAUTION:** To avoid possible electric shock, special care should be taken when using electrical appliances near water.

**CAUTION:** Always isolate the LED lighting system, the water circulation pump, the skimmer and the heater from the mains electricity before installing or carrying out any maintenance to the Next Wave tank.

1. To operate efficiently, the water circulation pump, the skimmer and the heater must be operated 24 hours a day.
2. For optimum results we recommend that the LED lighting system is operated for up to 10 hours per day.
3. Regularly check to make sure all connections are tightly secured.
4. Check regularly that the protein skimmer is functioning properly and the micro-bubbles and water level within the skimmer are correct.

**CAUTION:** Failure to do so could result in water overflowing onto the floor.

5. When the collection cup is full, ensure all waste material is removed and the collection cup is cleaned.

**CAUTION:** Failure to do so could result in water overflowing onto the floor.

6. Periodically remove the collection cup and clean any organic build up or salt and/or calcium deposits from the collection cup.
7. Ensure the water outlets on the protein skimmer are clean and free of blockages.

**CAUTION:** Failure to do so could result in water overflowing onto the floor.

**USEFUL TIP:** Any blockages or detritus in the main skimmer body should be removed by simply rinsing the skimmer with warm water under a running tap.

8. When carrying out a water change, rinse out the filter sponges in water removed from the tank (NEVER use tap water). Periodically replace the filter sponges. Avoid rinsing or replacing all sponges at the same time to ensure minimal loss of essential bacteria.
9. Clean the water circulation pump regularly to ensure it does not become clogged with debris or detritus.
10. Ensure that the water inlets, water outlet, water outlet tubing and water outlet nozzle are clean and free of blockages.

**CAUTION:** Failure to do so could result in operating problems.

11. Regularly clean the inside and outside of the Next Wave tank.

**USEFUL TIP:** A full range of spares and accessories is available to complement the Next Wave tank. Please see your local TMC stockist for further information.

**PLEASE READ THE INSTRUCTIONS SUPPLIED WITH EACH INDIVIDUAL COMPONENT OF THIS AQUARIUM SET, FOR FULL SAFETY, SET UP, OPERATING AND MAINTENANCE PROCEDURES.**

## LIVESTOCK TIPS

1. Regular water changes of up to 25% are highly recommended, initially on a weekly basis and subsequently depending on water quality.
2. All livestock must be carefully acclimated before being introduced into the tank.
3. Introduce all livestock very slowly over a number of weeks. Smaller tanks are more sensitive to changes in water parameters and therefore it is not advisable to introduce more than one animal at a time. Ensure you allow each animal to settle in fully, and water parameters are correct, before introducing another.
4. Consider the ultimate size and placement of each species chosen.
5. **Example A:** Species such as common clown-fish [Amphiprion ocellaris], yellow boxfish [Ostracion cubicus] or blue damsels [Chrysiptera cyanea] will quickly outgrow a tank of this size and are therefore completely unsuitable.
6. **Example B:** Frog spawn or Hammerhead corals [Euphyllia spp.] can be extremely aggressive, and should not be placed where sweeper tentacles can damage other corals, but must be in an area of sufficient light intensity. Rate of growth should also be considered when purchasing and placing corals.
7. **Please Note:** ALL corals will eventually outgrow a tank of this size, and must be maintained and 'pruned' as necessary. Please refer to our "Suitable Species for the Next Wave 35" on pages 13, or speak to your aquatics retailer for further advice.
8. Consider the dietary requirements of each species added. For example, it may be inadvisable to keep a large number of filter feeding invertebrates in a small tank. Competition for a limited food source will be very high, but adding more zoo- or phytoplankton may act as a pollutant in the water.

### **CAUTION: DO NOT OVERSTOCK THE TANK!**

**Small tanks inherently support far fewer animals than a traditional reef aquarium and large quantities of livestock in a Next Wave tank is strongly discouraged. Consult your local retailer for stocking advice.**

## Why buy Tropical Marine Centre Livestock

- We ethically source and invest in a sustainable trade
- We offer more than 1200 species sourced world wide
- We have well-equipped facilities near the reef
- We offer a short supply chain to ensure consistently high quality livestock
- We sell ONLY healthy, well-acclimatised fish, which are feeding well
- Our livestock is hand selected by your retailer to your own requirements
- TMC has over 50+ years of marine expertise

You can access all the TMC species, information and tips by visiting:

**[www.tropicalmarinecentre.com](http://www.tropicalmarinecentre.com)**

# Suitable Species for the Next Wave 35

This list is not comprehensive. For more advice on suitable species and coral care, please consult your local marine livestock retailer.

## FISH

Neon Goby Gold - Tank Bred (*Elacatinus figaro*)  
Neon Goby - Tank Bred (*Elacatinus oceanops*)  
Neon Goby Sharknose - Tank Bred (*Elacatinus evelynae*)  
Neon Goby Zebra - Tank Bred (*Elacatinus macrodon*)  
Green Goby (*Gobiodon histrio*)  
Yellow Goby (*Gobiodon okinawae*)  
Nano Goby - Firecracker (*Trimma cana*)  
Nano Goby - Blue Eye (*Trysogobius colini*)  
Nano Goby - Red Speckled (*Trimma macrophthalmum*)  
Barnacle blenny (*Acanthemblemaria macrospilus*)  
Hi fin nano goby (*Discordipinna griessingeri*)  
Court jester goby (*Amblygobius rainfordi*)  
Christmas goby (*Gobiosoma multifasciatum*)  
Blue neon goby (*Elacatinus oceanops*)  
Gold neon goby (*Elacatinus evelynae*)  
Yellow goby (*Gobiodon okinawae*)  
Green clown goby (*Gobiodon histrio*)  
Midnight coral goby (*Gobiodon ceramensis*)  
Blue neon goby (*Elacatinus oceanops*)  
Gold neon goby (*Elacatinus evelynae*)  
Yellow goby (*Gobiodon okinawae*)  
Green clown goby (*Gobiodon histrio*)  
Midnight coral goby (*Gobiodon ceramensis*)

## INVERTEBRATES

Anemone crab (*Neopetrolisthes ohshimai*)  
Emerald mithrax crab (*Mithraculus sculptus*)  
Sexy shrimp (*Thor amboinensis*)  
Bumblebee shrimp (*Gnathophyllum americanum*)  
Cleaner shrimp (*Lysmata amboinensis*)  
Crystal shrimp (*Periclimenes sp.*)  
Peppermint shrimp (*Lysmata wurdemanni*)  
Boxer crab (*Lybia tessellata*)  
Feather duster (*Sabellastarte spp.*)  
Christmas tree worm (*Bispira spp.*)  
Feather worm colony (*Bispira brunnea*)  
Turbo snail (*Astrea tectum*)  
Bumblebee snail (*Engina mendicaria*)  
Orange marble snail (*Nassarius spp.*)  
Rock red leg hermit crab (*Paguristes cadenati*)  
Blue leg hermit crab (*Clibanarius tricolor*)  
Common rock hermit crab (*Clibanarius spp.*)  
Zebra hermit crab (*Calcinus laevimanus*)  
Orange leg hermit crab (*Clibanarius sp.*)  
Banded trochus snail (*Trochus histrio*)  
Cerith snail (*Cerithium sp.*)  
Money cowrie (*Cypraea moneta*)

# CORALS

**PLEASE NOTE:** Soft corals grow more quickly than other types of coral and must be trimmed.

**PLEASE NOTE:** ALL corals will eventually outgrow a tank of this size, and must be maintained and 'pruned' as necessary.

## MUSHROOMS

Ricordea [*Ricordea yuma*, *Ricordea florida*]

Red mushroom [*Discosoma cardinalis*]

Watermelon stripe mushroom [*Discosoma spp.*]

Blue mushroom [*Actinodiscus spp.*]

Furry mushroom [*Rhodactis spp.*]

## SOFT CORAL

Cabbage coral [*Sinularia dura*]

Toadstool coral [*Sarcophyton spp.*]

White polyp finger coral [*Lobophytum spp.*]

## LPS HARD CORAL

Hammerhead, frogspawn, torch [*Euphyllia spp.*]

Plate coral [*Funghia spp.*]

Duncan's coral [*Duncanopsammia spp.*]

Organ pipe coral [*Tubipora spp.*]

Trumpet coral [*Caulastraea spp.*]

## POLYPS

Star polyp [*Xenia spp.*]

Button polyp [*Zoanthus spp.*]

Clove star polyp [*Clavularia spp.*]

Jasmin star polyp [*Cervera spp.*]

Feather star polyp [*Anthelia spp.*]

## FLESHY HARD CORAL\*

Brain coral [*Trachyphyllia spp.*]

Chalice coral [*Echinophyllia spp.*]

Pineapple coral [*Favia spp.*]

War coral [*Favia spp.*]

Acans coral [*Acanthastrea spp.*]

Lettuce coral [*Pectinia spp.*]

## SPS HARD CORAL\*

Grass coral [*Pavona spp.*]

Plume rock coral [*Porites spp.*]

---

\*Please note: additional lighting may be required for these species to ensure optimum colour and growth.

# Recommended Products for the Next Wave range

## Aquarium Accessories

---

- Next Wave 35 Reef Guard Aquarium Cover
- Next Wave 35 Heat Retainer



## Aquarium Hardscape

---

- EcoReef Rock
- Tropical Marine Centre EcoSand



## Aquarium Equipment

---

- H<sub>2</sub>Air 60 Air Pump 60 l/hr
- V<sup>2</sup>Therm 50w Digital Heater 220v 50Hz
- Reef Flow 2.0 1000nano or 2000nano



## Aquarium Water Chemistry

---

- Tropic Marin Pro Reef Sea Salt
- Tropical Marine Centre Reef Salt
- Tropic Marin Nitribiotic
- Tropic Marin All-For-Reef
- Tropic Marin Compact Lab Test Kit Saltwater
- Tropical Marine Centre Acclimation Kit
- Salifert Coral Food
- Salifert All In One
- Salifert Profi Test Kits
- Tropical Marine Centre Refractometer Salinity & Specific Gravity
- Tropical Marine Centre Auto Top-up x 1 Float Switch UK



## Food

---

- Tropical Marine Centre GAMMA Dry Food
- Tropical Marine Centre GAMMA Liquid Food
- Tropical Marine Centre GAMMA Frozen Food





[tropicalmarinecentre.com](http://tropicalmarinecentre.com)  
[info@tropicalmarinecentre.co.uk](mailto:info@tropicalmarinecentre.co.uk)

**UK**

Solesbridge Lane  
Chorleywood  
Hertfordshire WD3 5SX  
England

Call +44 [0]1923 284151

**Iberia**

Rua Cidade de Paris 6  
Parque Industrial do Arneiro  
2660-456 São Julião do Tojal  
Portugal

Call +351 [0] 219 739 140

