

## PRODUCT INFORMATION

# PROSEP

FILTER SYSTEMS LTD

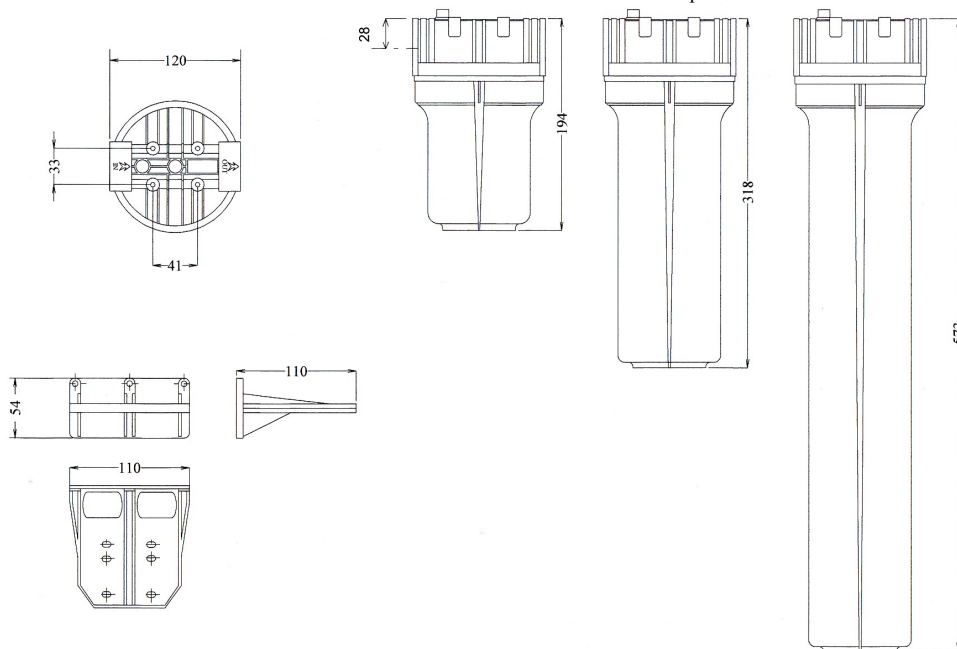
## AQUA HOUSING



### Specification:

Head:	Filled polypropylene
Connections	1/4"; 3/8"; 1/2"; 3/4" & 1" BSP
Bowl:	Transparent SAN or Opaque polypropylene
O-Ring Options:	Nitrile, EPDM or Viton
Relief Valve:	Optional
Working Pressure:	8 bar max
Bursting Pressure:	35 bar
Working Temperature:	50 Deg C
Cyclic Pressure Test:	Passed 200,000

Dimensions shown for 3/4" ported versions



Prosep Filter Systems Ltd  
Unit G19, River Bank Way,  
Lowfields Business Park,  
Elland, West Yorkshire  
HX5 9DN

Phone: 01422 377367  
email: sales@prosep.co.uk  
www.prosep.co.uk



*for all your filter requirements*